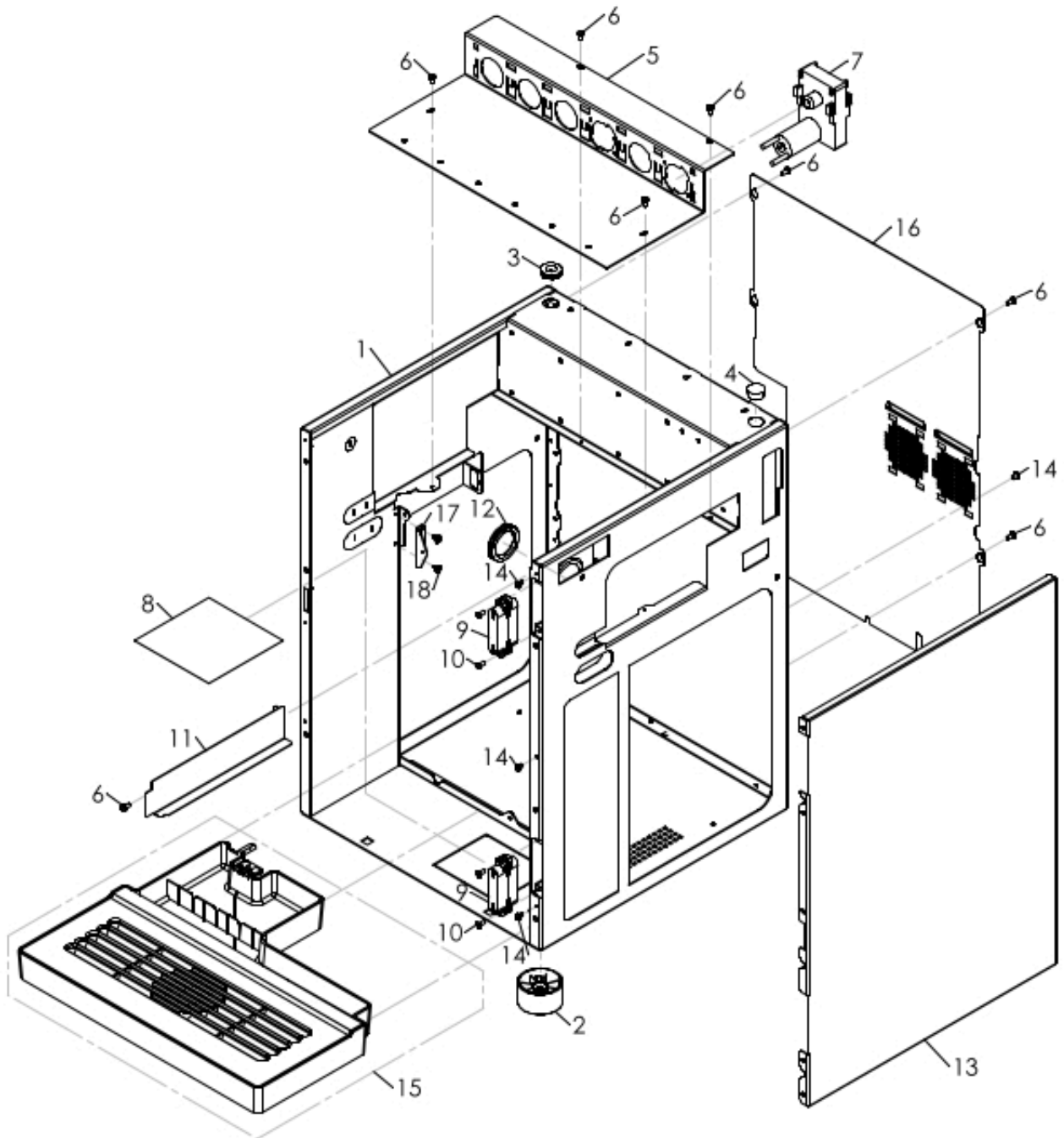


Distributeur automatique



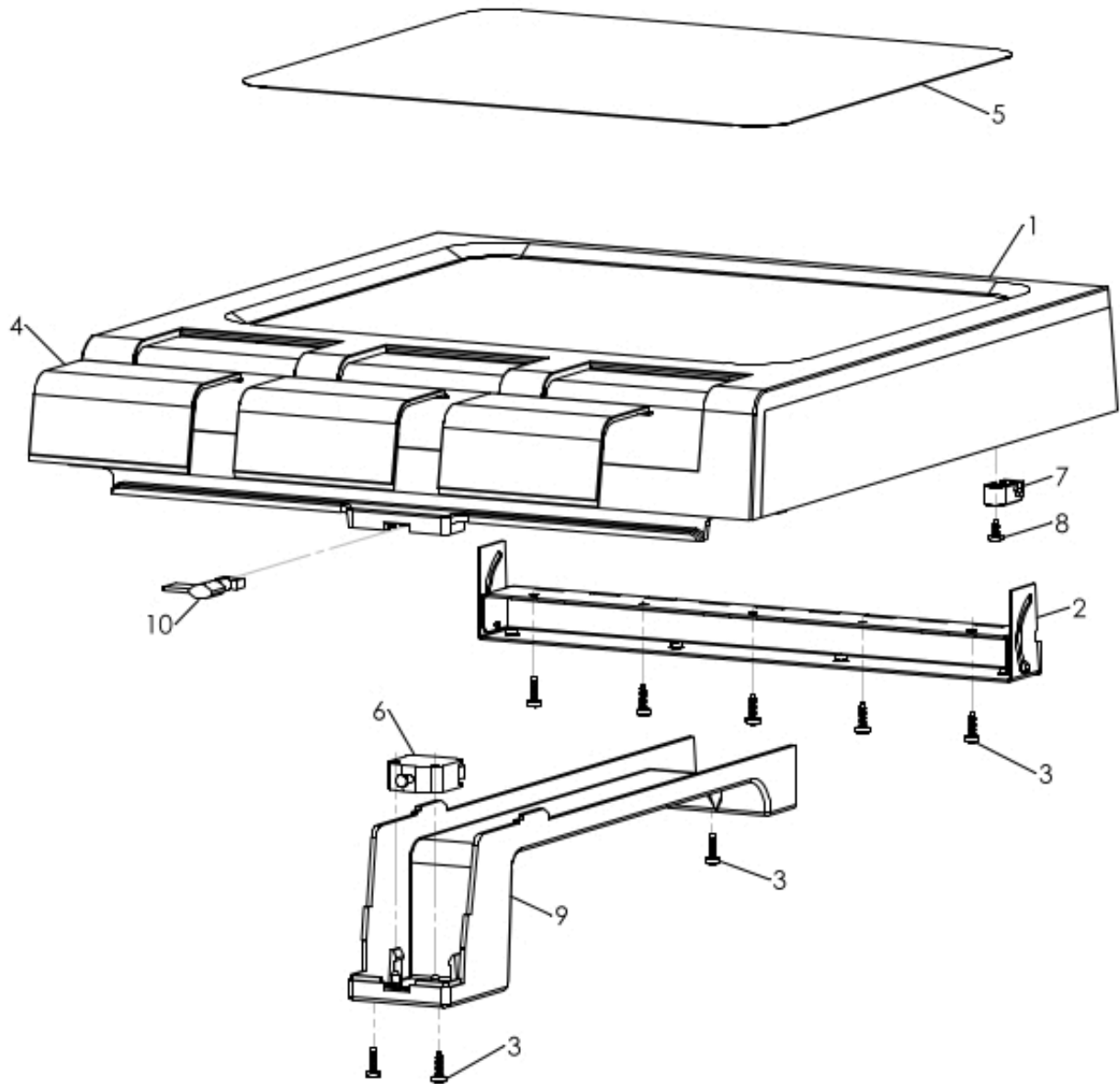
Manuel Pièces détachées

armoire



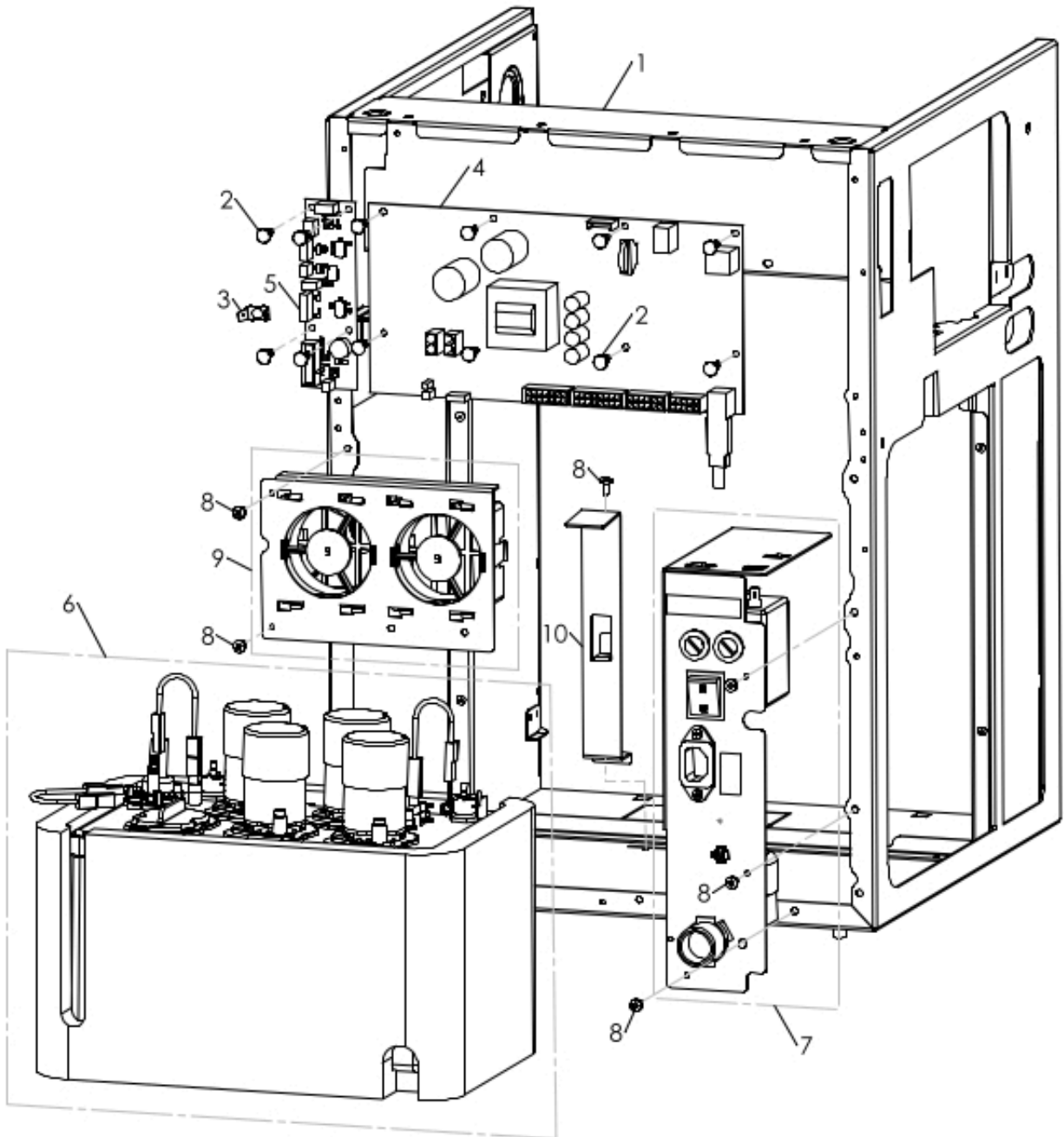
armoire			
Position	Code	Code RVF	Description
1	Z001B185005-03NA		CABINET
2	Z001B185042CL		FOOT D50X29
3	H00025008		CABLE GROMMET
4	GUA0011044		PLUG
5	Z001B185026NA		MOTOR GEAR SUPPORT (INSTANT)
6	VIT0000011	560445	VIS T.C.B. M 4*8
7	Z0090002113R	680512	MOTOREDUCTEUR POUDDRE PLAST. 80T.
8	Z0010020413		GROUNDS STICKER
9	Z002B185021		HINGE
10	VIT0000107	710720	VIS T.S.P. M 4*10
11	Z001B185065NA		WIRING SUPPORT
12	GUA0010503	070512	MEMBRANE DE GAINÉ ASPIR. RHEA
13	Z001B185030NA		REMOVABLE CLOSURE
14	VIT0000021	840614	VIS TCB M4*6
15			Voir table
16	Z001B185036NA		REAR CLOSURE
17	Z007B185014		INSTANT MIXER PLAN BRACKET
18	VIT0002401	680511	VIS AUTOF. TCB 3.5*9.5 + FR

COUVERCLE SUPERIUERE



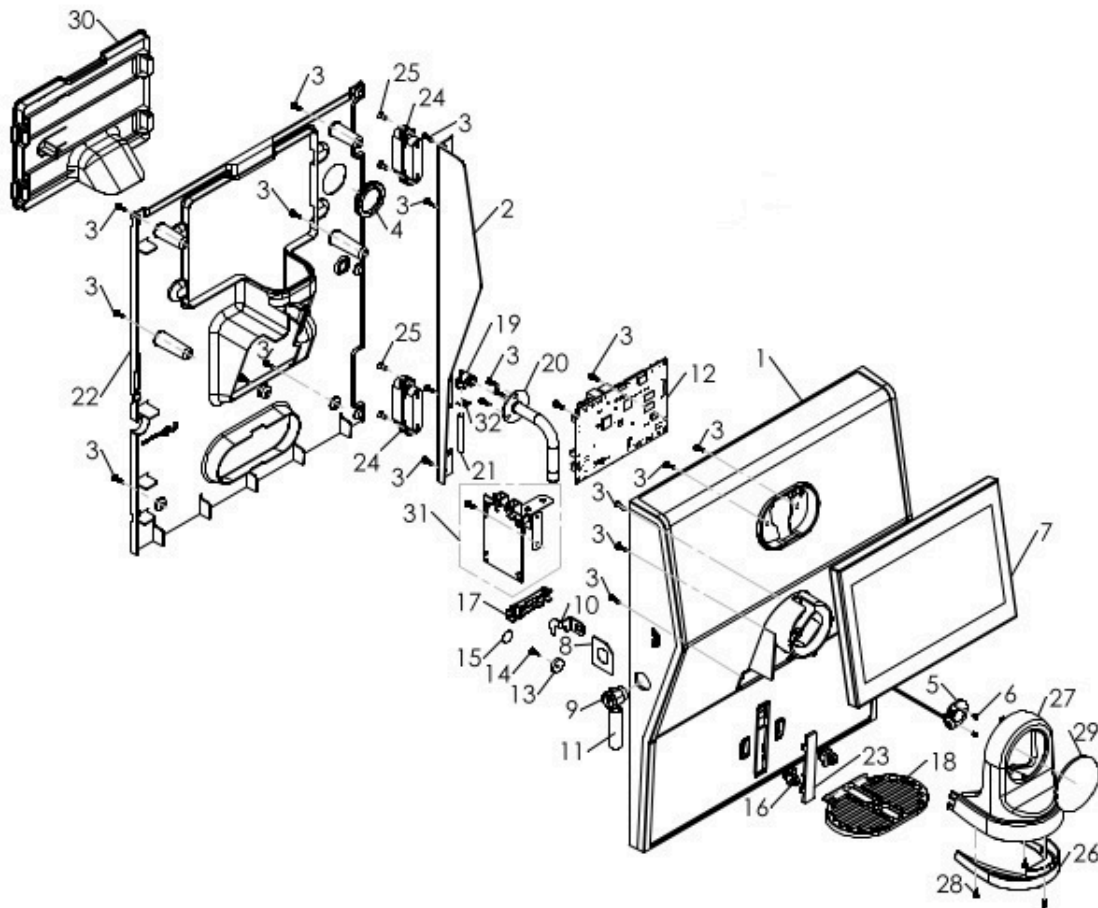
COUVERCLE SUPERIUERE			
Position	Code	Code RVF	Description
1	Z001B185050NA	Z001B185050NA	Couvercle noir TT1
2	Z001B185055	Z001B185055	Charnière couvercle TT1
3	VIT0002479	VIT0002479	TETE VIS 3,5X12 TARAUDER
4/a	Z001B185056NF	Z001B185056NF	Centre couvercle miroir TT1
4/b	Z001B185056TR		LID GLASS
5	Z001B185053	Z001B185053	centre couvercle noir TT1
6	ELE0002019	020915	INTERRUPTEUR XX - EC 16A-250V
7	Z0020043037NA	Z0020043037NA	SUPPORT FIXATION CPU
8	VIT0002475		SCREW HEAD TAP M3.5X8
9	Z001B185052NA		CABLE DUCT SUP.
10	Z0270011109IC	Z0270011109IC	CLE ORANGE DE MISE EN SERVICE COMPLETE

armoire postérieure

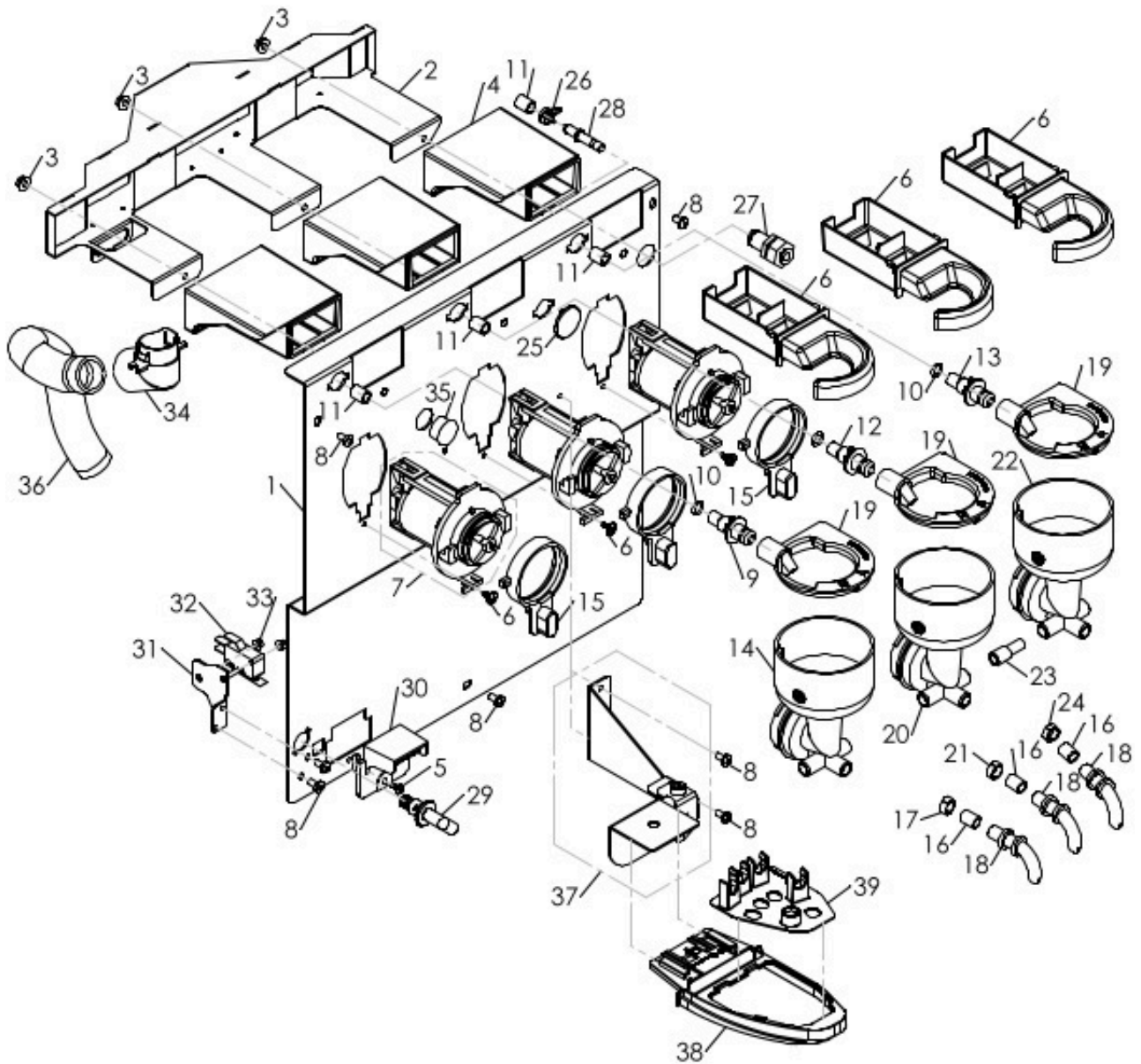


armoire postérieure			
Position	Code	Code RVF	Description
1	Z001B185005-03NA		CABINET
2	ELE0062020	509508	SUPPORT DE PLATINE
3	ELE0060520	160209	COSSE DE MISE MASSE
4	BRD01002		CPU/POWER BOARD
5	BRD0700100-00	BRD0700100-00	Interface CPU/SMU
6			Voir tablechauffe-eau
7			Voir tableboîtier électrique
8	VIT0000011	560445	VIS T.C.B. M 4*8
9			Voir table
10	Z060B185004		BOILER 5P FIX PLATE

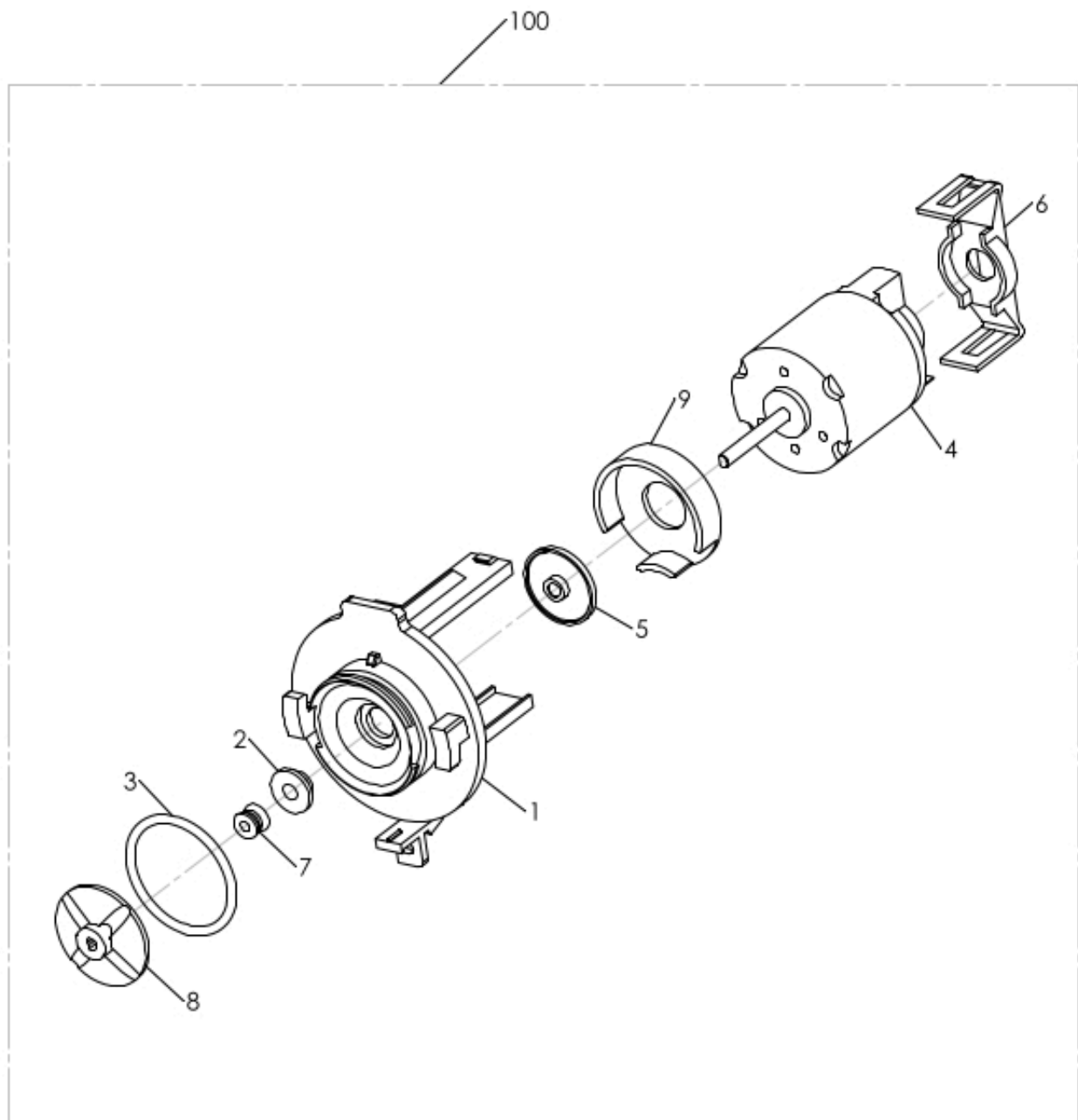
porte



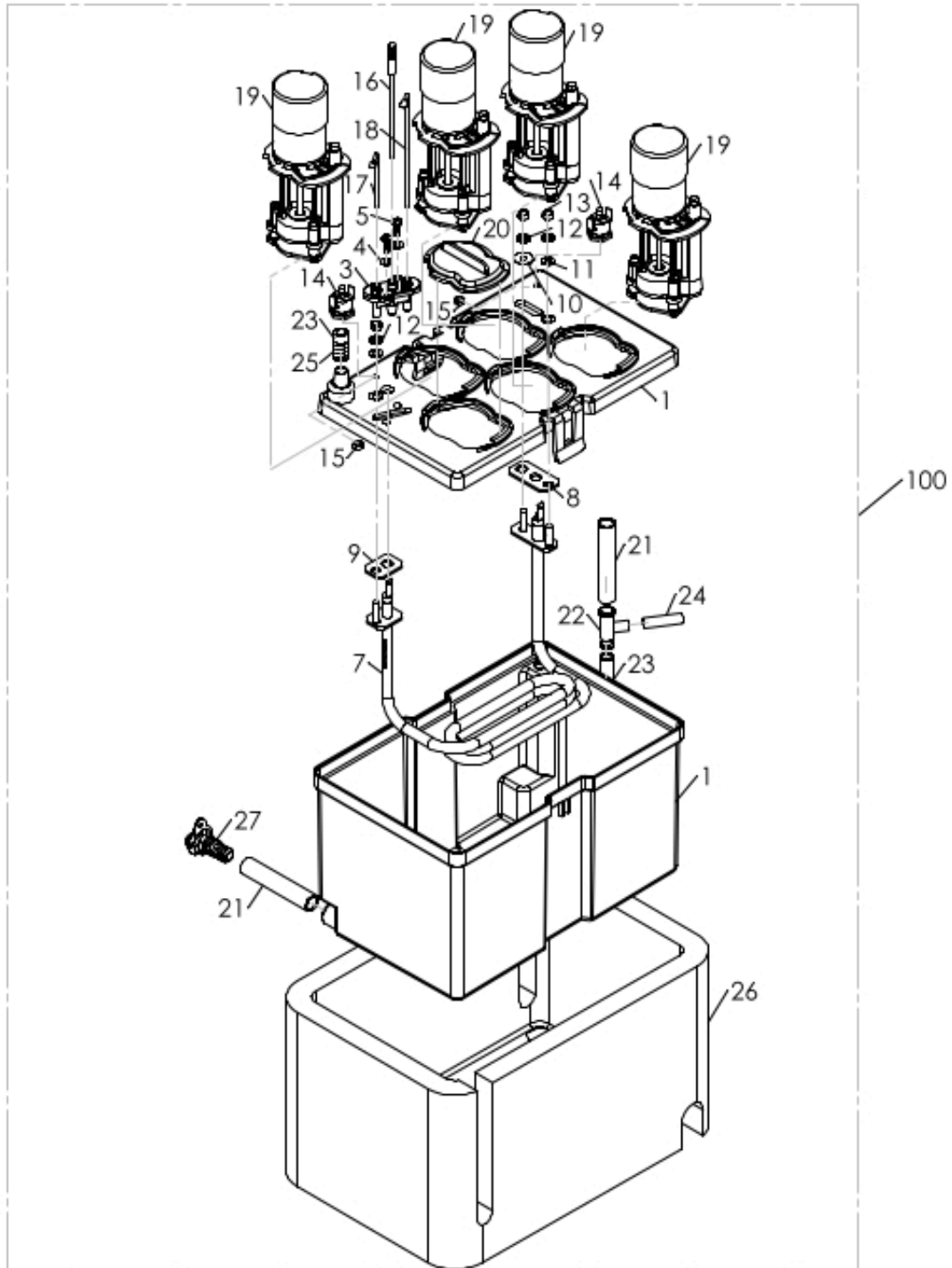
porte			
Position	Code	Code RVF	Description
1/a	Z002B185034R		§ DOOR W/SPEAR
1/b	Z002B185034R1		§ DOOR W/O SPEAR
1/c	Z002B185034R2		§ BLACK DOOR W/SPEAR
1/d	Z002B185034R3		§ BLACK DOOR W/O SPEAR
2	Z002B185029NA		HINGES INTERFACE PLATE
3	VIT0002479	VIT0002479	TETE VIS 3,5X12 TARAUDER
4	GUA0010503	070512	MEMBRANE DE GAINÉ ASPIR. RHEA
5	Z002A158227		LOGO BACKLIGHTING BOARD
6	VIT0002001	051203	VIS AUTOF. TCB 2.9*6.5
7	Z002B185042CL-01	Z002B185042CL	Ecran tactile 7 pouces TT1
8	Z002A122018		LOCK PLATE
9	SER0000024	020109	SERRURE TYPE XX - BAR. - HORECA RAPIDE
10	Z002B185020		LOCK PLATE
11	GUA0020028		LOCK KEY PROTECTION
12	SCHB169004	SCHB169004	Platine SMU
13	ELTA122003		DOOR MAGNET 16X4,5X3,2
14	VIT0002111	112348	VIS AUTOF. TSP 2.9*13
15	1010100199		MAGNET TRASPARENT ADHESIVE
16	Z0020039073NA	Z0020039073NA	FIXATION SUPPORT REPOSE GOBELET NOIR
17	Z0020039087-03IC	510804	VERROU DE REPOSE GOBELET
18/a	Z002B185025NA	Z002B185025NA	Support de Gobelet
18/b	Z002B222020		INOX GUIDE
19	Z0100001185		ELBOW CONNECTOR 6-1/8 INOX316L
20	Z002B185044		HOT WATER SPEAR W/O TAP
21	TTEF04/06T	770152	TUYAU TEFLON 4/6
22	Z002B185024-01NA		INTERNAL COVER
23/a	Z002B185027NA		CUP SENSOR COVER
23/b	ELTB185001R	ELTB185001R	CELLULE DETECTION GOB RHTT1
24	Z002B185021		HINGE
25	VIT0000107	710720	VIS T.S.P. M 4*10
26	Z007B185007NA		LOWER NOSE COVER
27	Z002B185035XC		FRONTAL AESTHETIC NOSE
28	VIT0002064		SCREW ST HEAD CAP M2.9X9.5
29	103B185023R		§rhTT1 LOGO rhTT1 RHEA
30	Z002B185049IC		SMU COVER
31			Voir table



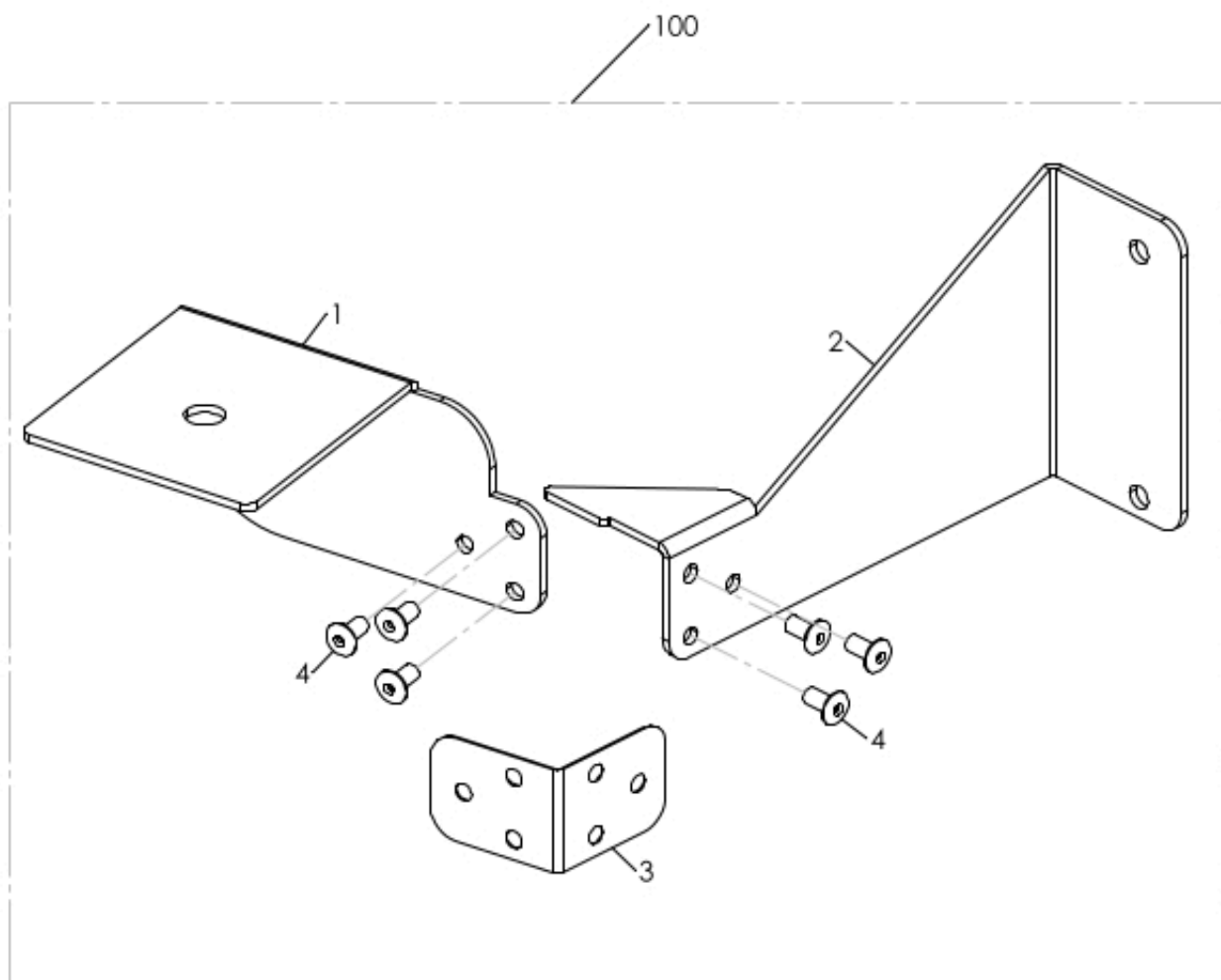
SUPPORT MOTEURS POUUDRE ET MIXERS			
Position	Code	Code RVF	Description
1	Z007B185010NA		MIXER PLAN (INSTANT)
2	Z007B185030		TRAP DRAWER (INSTANT)
3	DAM0000056	879012	ECROU DIAMETRE 4 MM
4	Z0010027214	023006	CASSETTE ASPIRATION XX GRAINS
5	VIT0002009	720545	VIS AUTOF. T.C.B. 3.5 * 6.5
6	Z008B185011PG	Z008B185011PG	Cassette d'aspiration
7			Voir tablemixer
8	VIT0000011	560445	VIS T.C.B. M 4*8
9	Z0080100043-02KA	320714R	RACCORD D'ARRIVEE D'EAU COURT ROUGE
10	GUA0000085	270714	JOINT DE RACCORD D'ARRIVEE EAU
11/a	TSIL06/09TC-10		SILICON HOSE 5,6X8,8 MT.10
11/b	TSIL06/09TC-50		SILICON HOSE 5,6X8,8 MT.50
12	Z0080100043-02MD	320714V	RACCORD D'ARRIVEE D'EAU COURT VERT
13	Z0080100043-02PL	320714B	RACCORD D'ARRIVEE D'EAU COURT BLEU
14	Z0080200111RPG		MIXING BOWL R.W/H20 BREAKER
15	Z0080100006IC	820723	ANNEAU DE BLOCAGE BOL MELANGEUR
16/a	TSIL06/09PG-10		SILICON HOSE D6X9 R5012 MT.10
16/b	TSIL06/09PG-50	TSIL06/09PG-50	TUYAU SILICONE D6X9 R5012 MT.50 BLEU
17	Z0080100127	472028R	BAGUE TUBE COULEUR ROUGE
18	Z0010020052	820705A	BEC SORTIE DISTRIBUTION PRODUIT FINI SOLUBLE TT
19	Z008B185012PG		UPPER RING W/INLET PIPE R5012
20	Z0080200112CPG		MIXING BOWL F.W/H20 BREAKER
21	Z0080100129	472028V	BAGUE TUBE COULEUR VERTE
22	Z0080200110LPG		MIXING BOWL L.W/H20 BREAKER
23	Z0080100095PG		REDUCTION
24	Z0080100130	472028B	BAGUE TUBE COULEUR BLEUE
25	Z0080100035NA	270614	BOUCHON CACHE
26	FASC000105	277855	CLIPS SERRAGE TUBE
27	Z0100001237		STRAIGHT STEM CONNECTOR
28	Z0100001240		STRAIGHT BULKHEAD CONNECT 6-6
29	Z0080100084	020403	RACCORD DE TROP PLEIN
30	Z0010020836CL	511023	SUPPORT CONTACT XS GRANDE
31	Z026B185015		MICROSWITCH SUPPORT
32	ELE0001522	741208	M. CONTACT DOSEUR MOUT. / TROP PLEIN
33	VIT0004701	840239	ECROU + FR DIAMETRE 3
34	Z0010027043NA	510514	EMBOUT COUDE RACCORDEMENT GAINÉ ASP.
35	GUA0011010	460320	BOUCHON PLASTIQUE
36	TEOL000001CL1	830516	TUBE ASPIRATION D. 20 - 144 MM
37			Voir table
38	Z007B185006NA	Z007B185006NA	ENTOURAGE SUPPORT BEC RHTT1
39	Z007B185004NA	Z007B185004NA	SUPPORT BEC LAIT NON FRAIS RHTT1

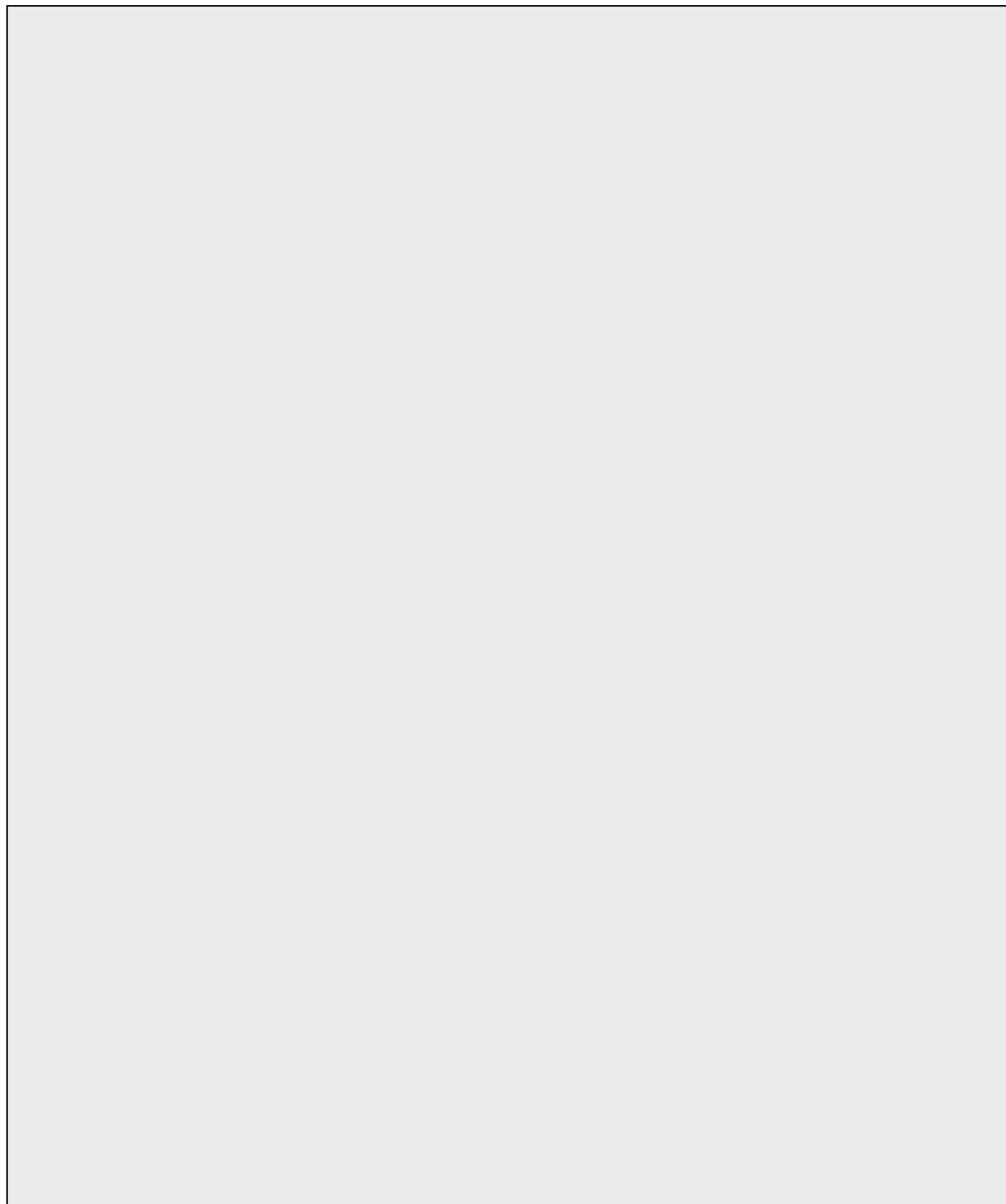


mixer			
Position	Code	Code RVF	Description
1	Z0080100005	820713	FLASQUE MIXER PLASTIQUE NOIR
2	Z0080100015	820714	PALIER INOX DE FLASQUE MIXER
3	GUA0000084	820715	JOINT DE FLASQUE MIXER BOL NOIR (prix a l'unité mais vendu en sachet de 10 u)
4	Z0090003023	820716	MOTEUR MIXER AXE 4 mm 24 V. D.C.
5	Z0080100024	821205	RONDELLE ANTI-PROJECTION BOL NOIR
6	Z0080100009C	820718	CAVALIER DE BLOCAGE MIXER
7	Z0080100102	820719	JOINT D'AXE MIXER DIAMETRE 4 mm (prix a l'unité mais vendu en sachet de 10 u)
8	Z0080100011	820720	AILETTE POUR MIXER 4 mm (prix a l'unité mais vendu en sachet de 10 u)
9	Z0080100023C	821206	CAGE ANTI-PROJECTION BOL NOIR
100	Z0080100001R	820791	KIT MIXAGE RHEA XX < - > LUCE

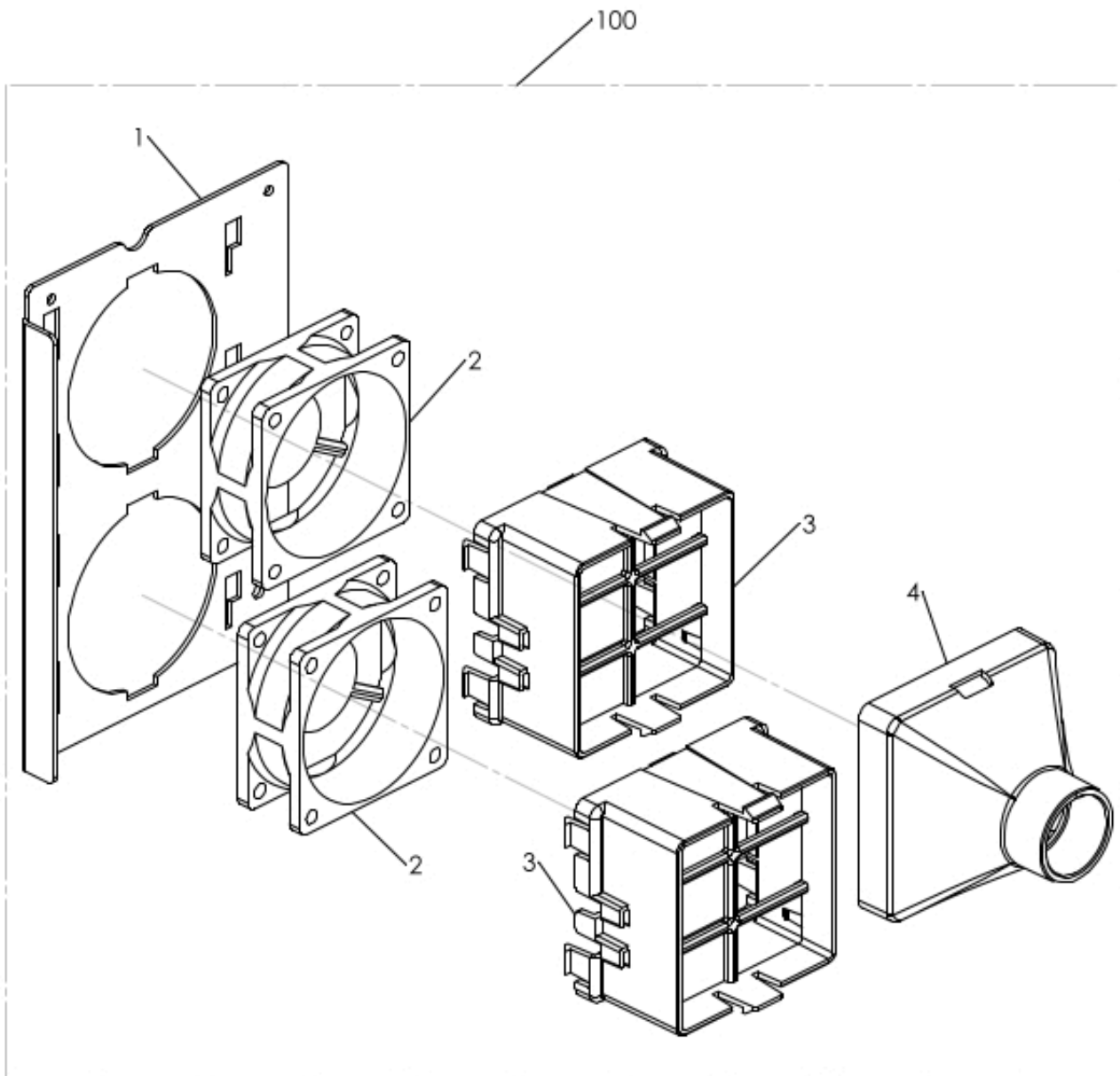


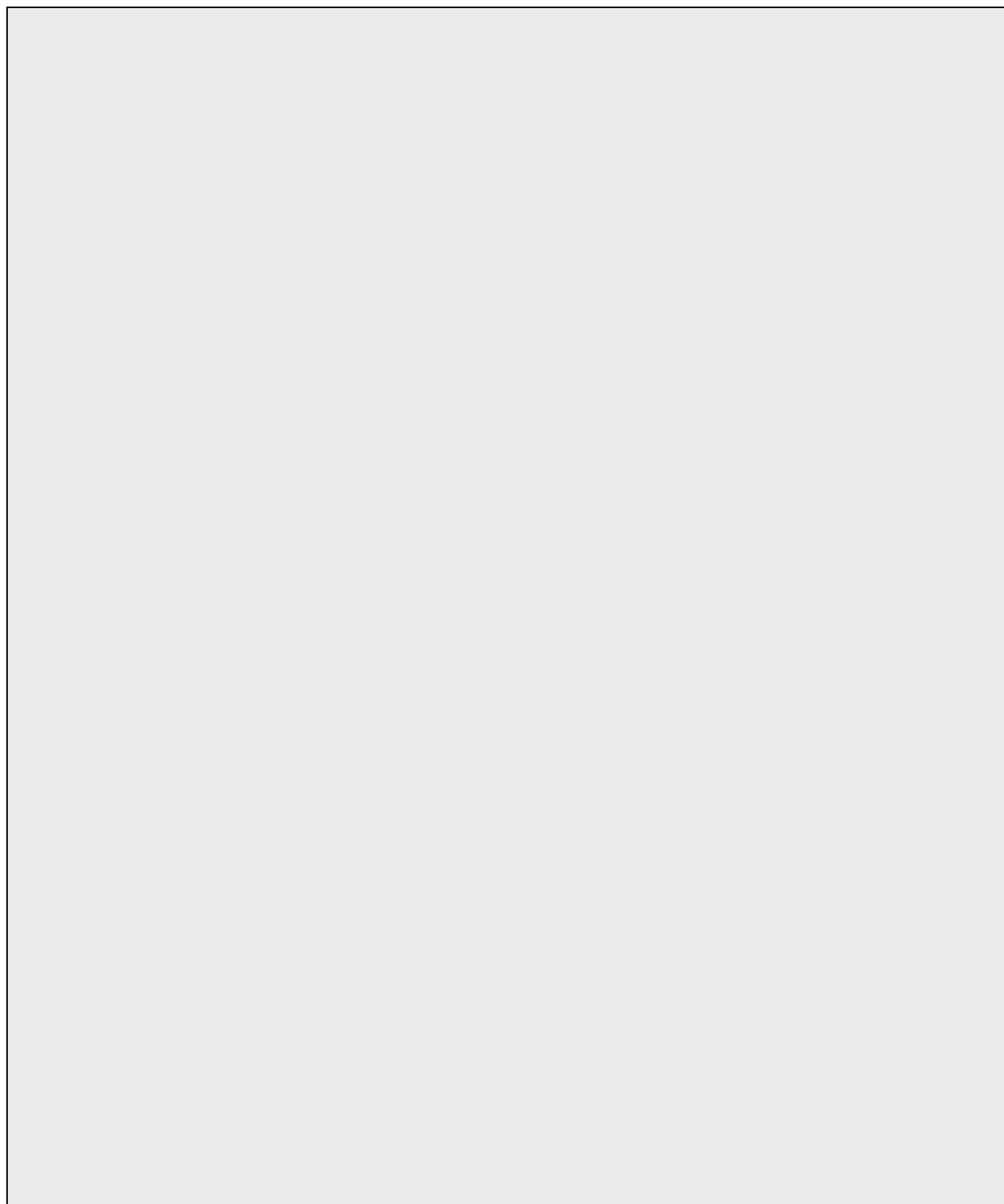
chauffe-eau			
Position	Code	Code RVF	Description
1	Z0600014111R1		§ TANK+BOILER COVER
3	Z0600016089-02		PROBE SUPPORT
4	VIT0003211	321826	RONDELLE PLATE D4.3*9*0.8 A4
5	VIT0001005	720511	VIS T.C.B. M 4 * 12 INOX
7	Z0600016138		HEATING ELEMENT 1600 W 230 V
8	Z0600014113-02		HEATING ELEM GASKET
9	Z0600014114-01		BOILER STRENGHT GASKET 5P
10	VIT0003505		WASHER 5,5X15X1 A2 UNI 6593
11	VIT0003203	741641	RONDELLE PLATE 5.3*10*1 INOX
12	VIT0003111		SPRING WASHER 5,3
13	VIT0004804	680809	ECROU DIAMETRE 5 INOX
14	ELE0000965	820614A	THERMOSTAT A REARMEMENT M. 88°
15	VIT0004816	321815	ECROU M4
16	ELE0000978R	291014	SONDE TEMPERATURE SOLUBLE 80 mm
17	Z0600016054	820617	SONDE DE NIVEAU D'EAU 40 MM
18	Z0600016053	820616	SONDE DE NIVEAU D'EAU 96 MM
19	Z0600016405R2		§BOILER PUMP
20	Z0600016422-03		PUMP LID
21/a	TSIL10/14T-10	770158-10	METRE TUYAU SILICONE 10/14 TRANSPARENT 10METRE
21/b	TSIL10/14T-50	770158	METRE TUYAU SILICONE 10/14 TRANSPARENT
22	Z0600016028	820217	RACCORD EN T DE TROP PLEIN
23/a	TSIL07/11T-10	770155-10	METRE TUYAU SILICONE 7/11 TRANSPARENT ROULEAU DE 10 METRE
23/b	TSIL07/11T-50	770155	METRE TUYAU SILICONE 7/11 TRANSPARENT
24/a	TSIL05/08T-10		SILICON HOSE 5X8 MT.10
24/b	TSIL05/08T-50	720221	METRE TUYAU SILICONE 5/8 TRANSPARENT
25	Z0010020063	820514	RESSORT POUR TUBE XS
26	Z007A158122		INSTANT BOILER INSULATION TRAY
27	Z0600016455	020213	BOUCHON VIDANGE RAPIDE
100	Z0600014201CL7		BOILER 4P AR TFI 230V rhTT1
101	Z0600014201CL8		BOILER 3P AR TFI 230V rhTT1





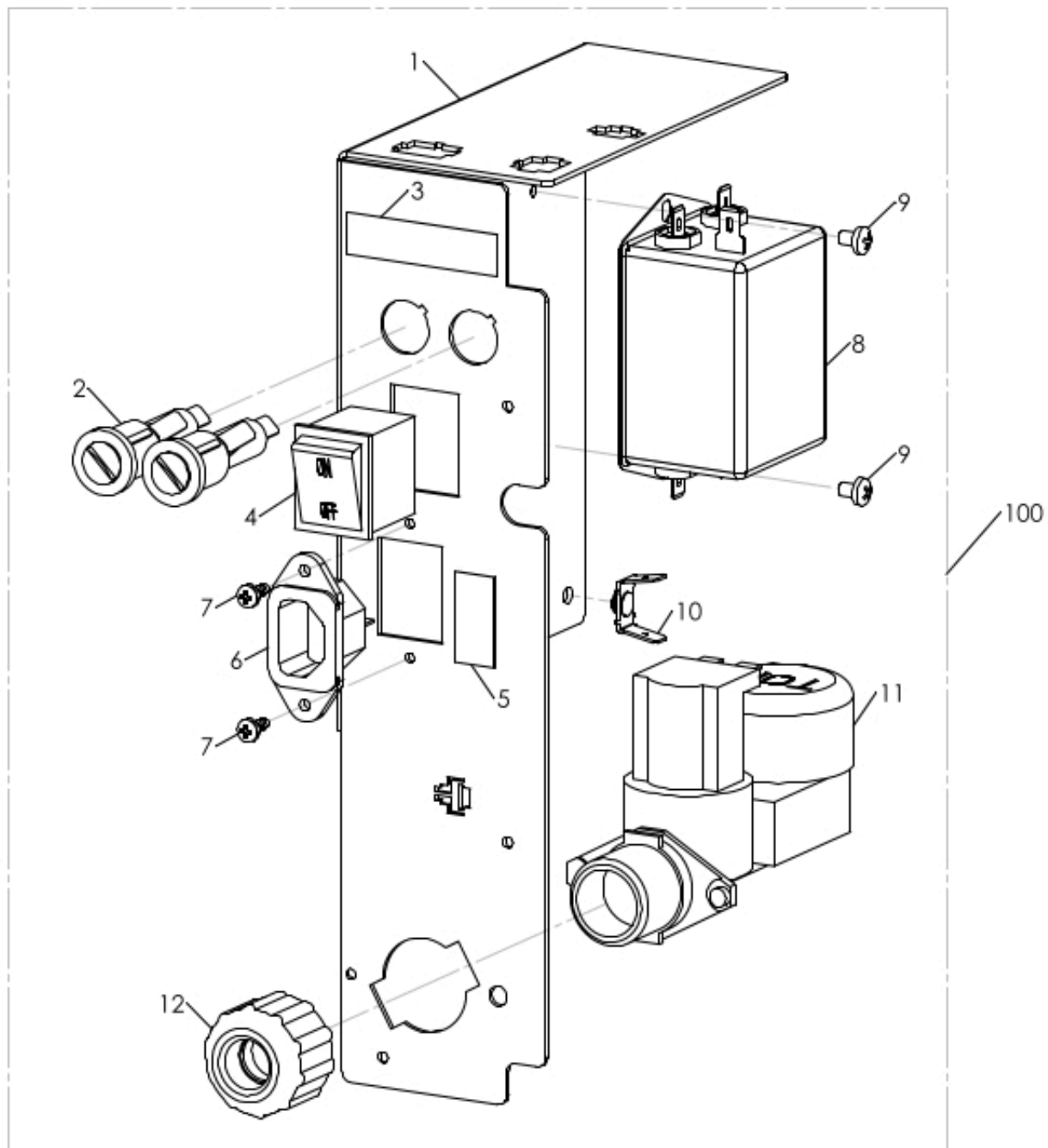
Position	Code	Code RVF	Description
1	Z0072300190NA		MOBILE NOZZLE SUPPORT
2	Z0072300200NA		FIXED NOZZLE SUPPORT
3	Z0072300210		BAND SPRING
4	VIT0007021	570818	RIVET ALUMINIUM 2.9*9
100	Z0072300290CL		§ NOZZLE SUPPORT



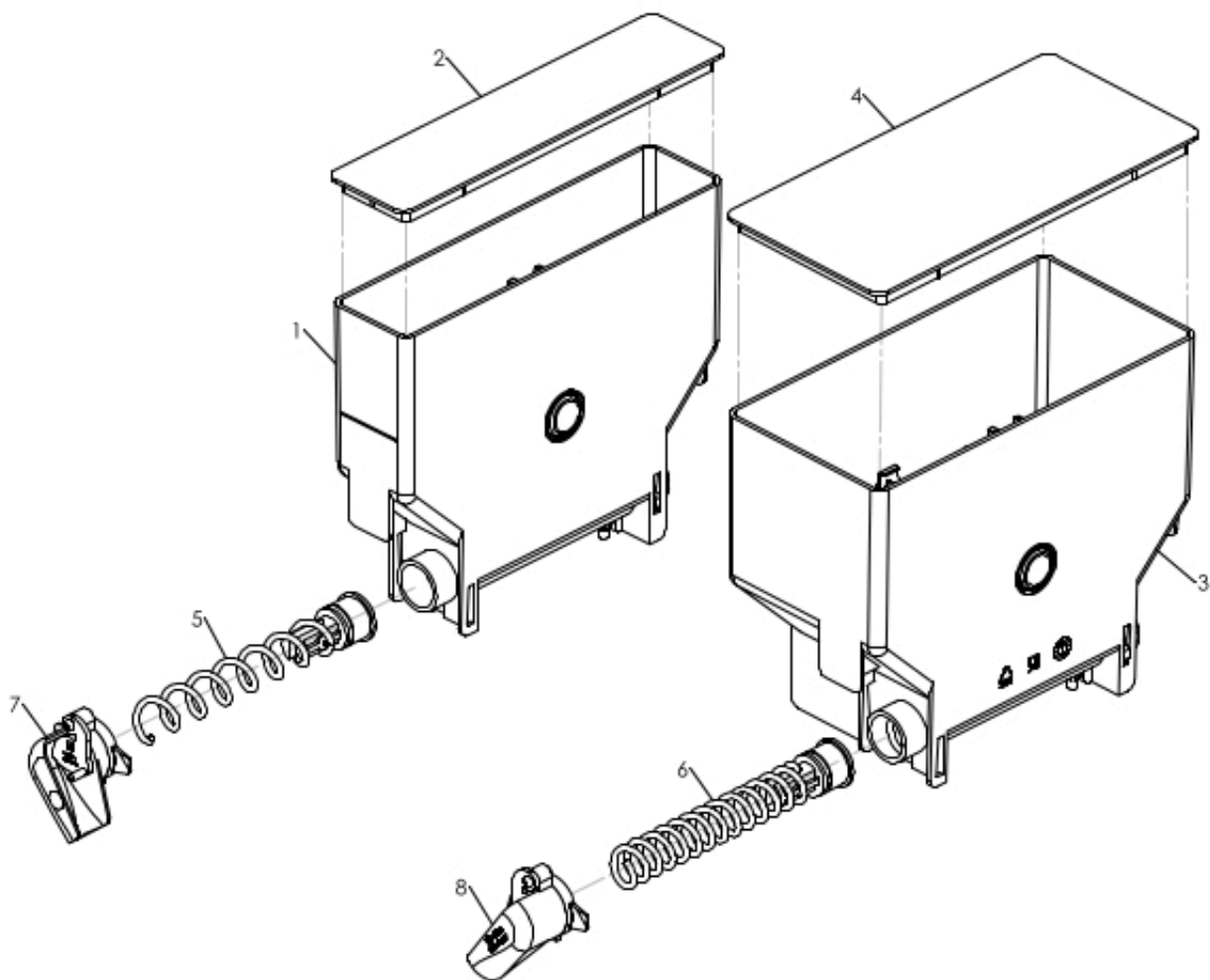


Position	Code	Code RVF	Description
1	Z013B185011		FANS SUPPORT
2	ELE0000462	020204	VENTILATEUR INFERIEUR CAISSE (BLEU) - XS GRANDE
3	Z0010027064	020202	ATTACHE DE VENTILATEUR XX - BARISTA - XS GRANDE
4	Z0010027065	020201	CONDUIT RACCORD. XX - BARISTA - XS GRANDE
100	Z013B185009CL		§ 2 ASPIRATION FAN

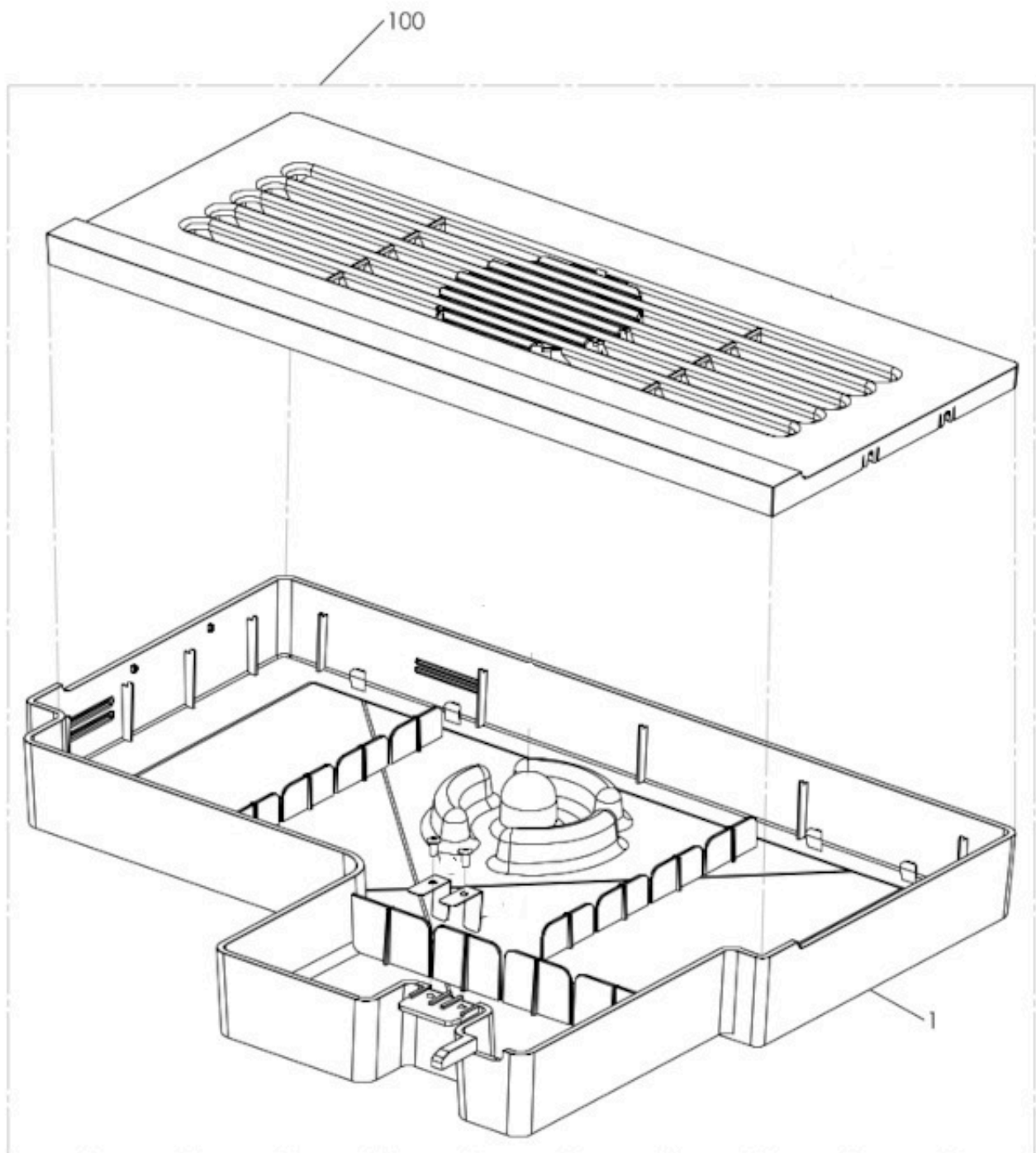
boîtier électrique

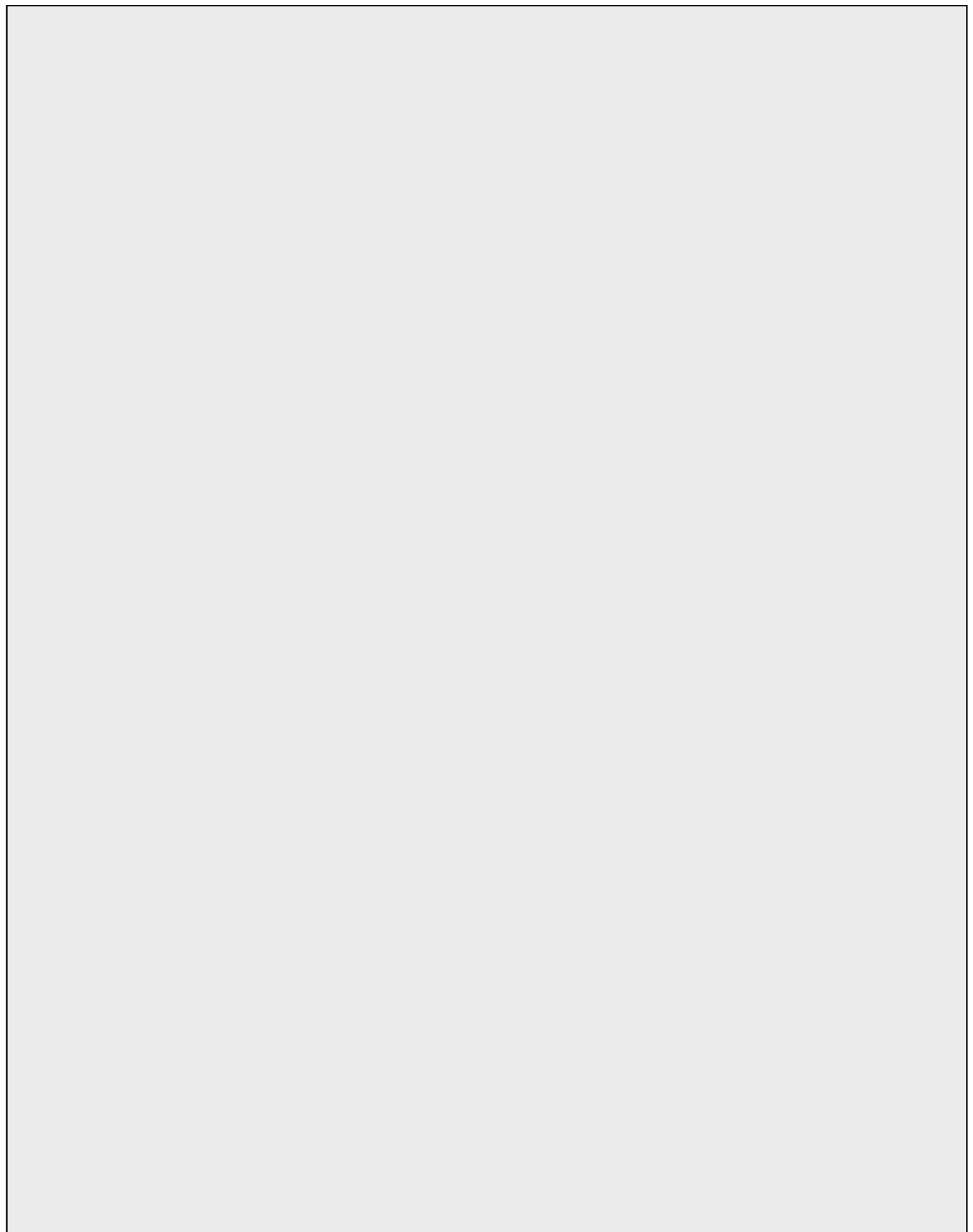


boîtier électrique			
Position	Code	Code RVF	Description
1	Z013B185020		ELECTRIC PANEL 10A + EV
2	ELE0003508CL	020208	PORTE FUSIBLE FH 12A
3	1010100124	510607	ETIQUETTE FUSIBLE 12 A
4	ELE0002014	720207	INTER BI POLAIRE 15 A 250 V
5	1010100149		230V LABEL
6	ELE0002310	460307	PRISE D'ENTREE 15 A. 230 VOLTS
7	VIT0002010	024002	VIS AUTOF. T.C.B. 3.5*9.5
8	ELE0009066	973905	FILTRE ELECTRIQUE LZ TOUCH
9	VIT0000021	840614	VIS TCB M4*6
10	ELE0060520	160209	COSSE DE MISE MASSE
11	Z0110001119	111901	ELECTROVANNE ENTREE EAU XXH-SAG-LUCE-BAR.MIL
12	Z0100006001-01	820220	RACCORD D'ENTREE D'EAU 3/4F - 3/8F
100	Z013B185021CL		§ ELECTRIC PANEL 10A R33 I

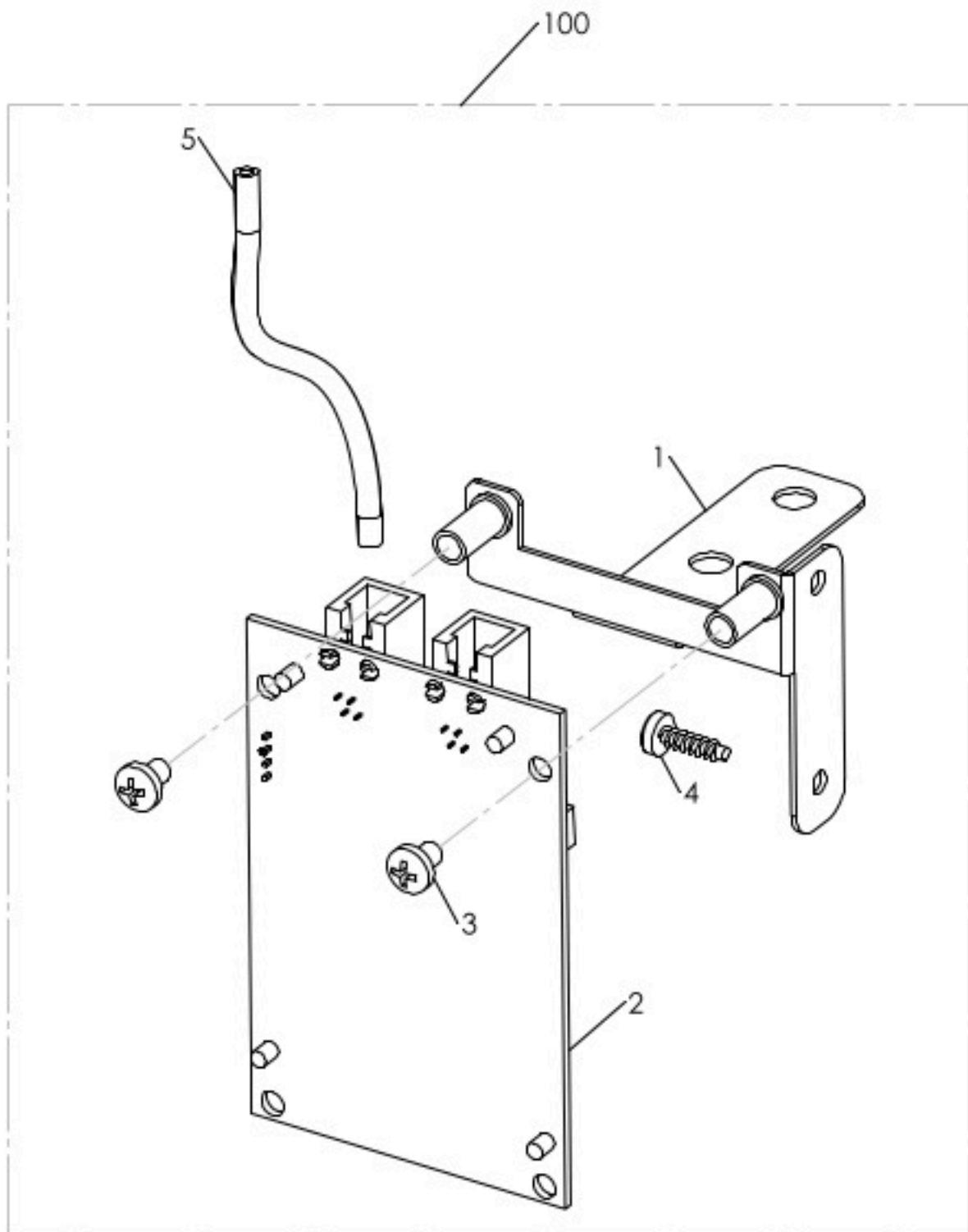


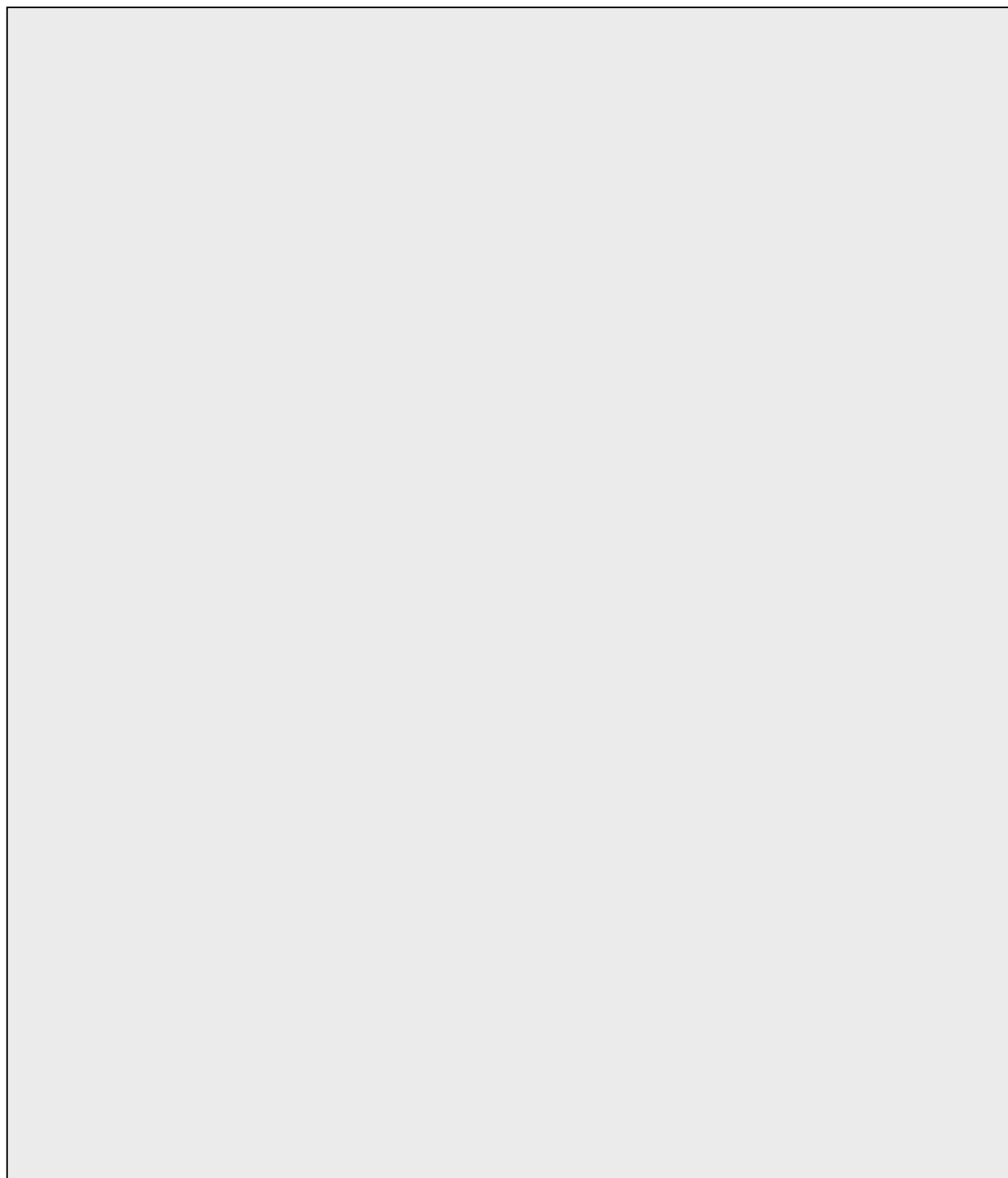
bac produit			
Position	Code	Code RVF	Description
1/a	Z0230030506R	820490A	BAC XS ETROIT SPIRALE VIS P.18
1/b	Z0230030502R	820490B	BAC XS ETROIT SPIRALE VIS P.9
1/c	Z0230030503R		§ CANIS. 54-190 AGIT.9 W/LID
1/d	Z0230030507R		§ CANIS. 54-190 AGIT.18 W/LID
2	Z0230030156	820412	COUVERCLE BAC XS-XM-HOR. ETROIT GRIS COURT
3/a	Z0230030525R		§ CAN. 110-190 AGIT.18 W/LID-L
3/b	Z0230030522R	820490C	BAC XS LARGE VIS P.18 DROIT
3/c	Z0230030524R		§ CAN. 110-190 AGIT.9 W/LID-L
3/d	Z0230030521R		§ CAN. 110-190 AGIT.9 W/LID-R
4	Z0230030158	820413	COUVERCLE DE BAC XS-XM-HOR. LARGE
5	Z0230030014CL		§ SPIRAL 18
6	Z0230030013CL		§ SPIRAL 9
7/a	Z0230030058R	820414	GOULOTTE XS-XL-HOR. DESC. DROITE ORANGE
7/b	Z0230030044R	820414A	GOULOTTE XS-XL-HOR. DESC. DROITE BORDEAUX
8/a	Z0230030057R	820417	GOULOTTE XS-XL-HOR. DESC. GAUCHE ORANGE
8/b	Z0230030043R	820417A	GOULOTTE XS-XL-HOR. DESC. GAUCHE BORDEAUX





Position	Code	Code RVF	Description
1	Z001B185062NAR		§ DRIP TRAY H2O
100	Z001B185062CL1		§ DRIP TRAY W/O SS RING

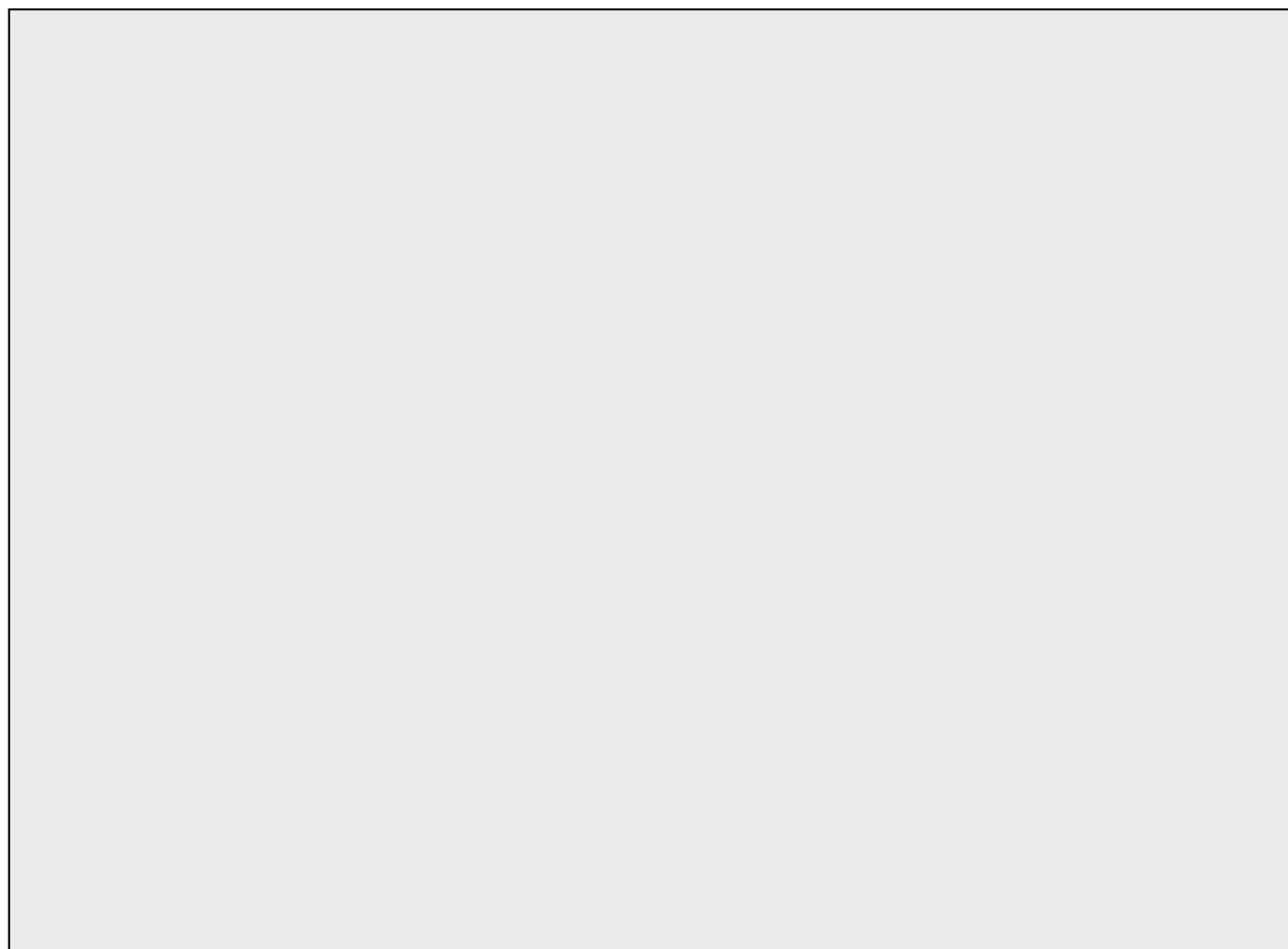




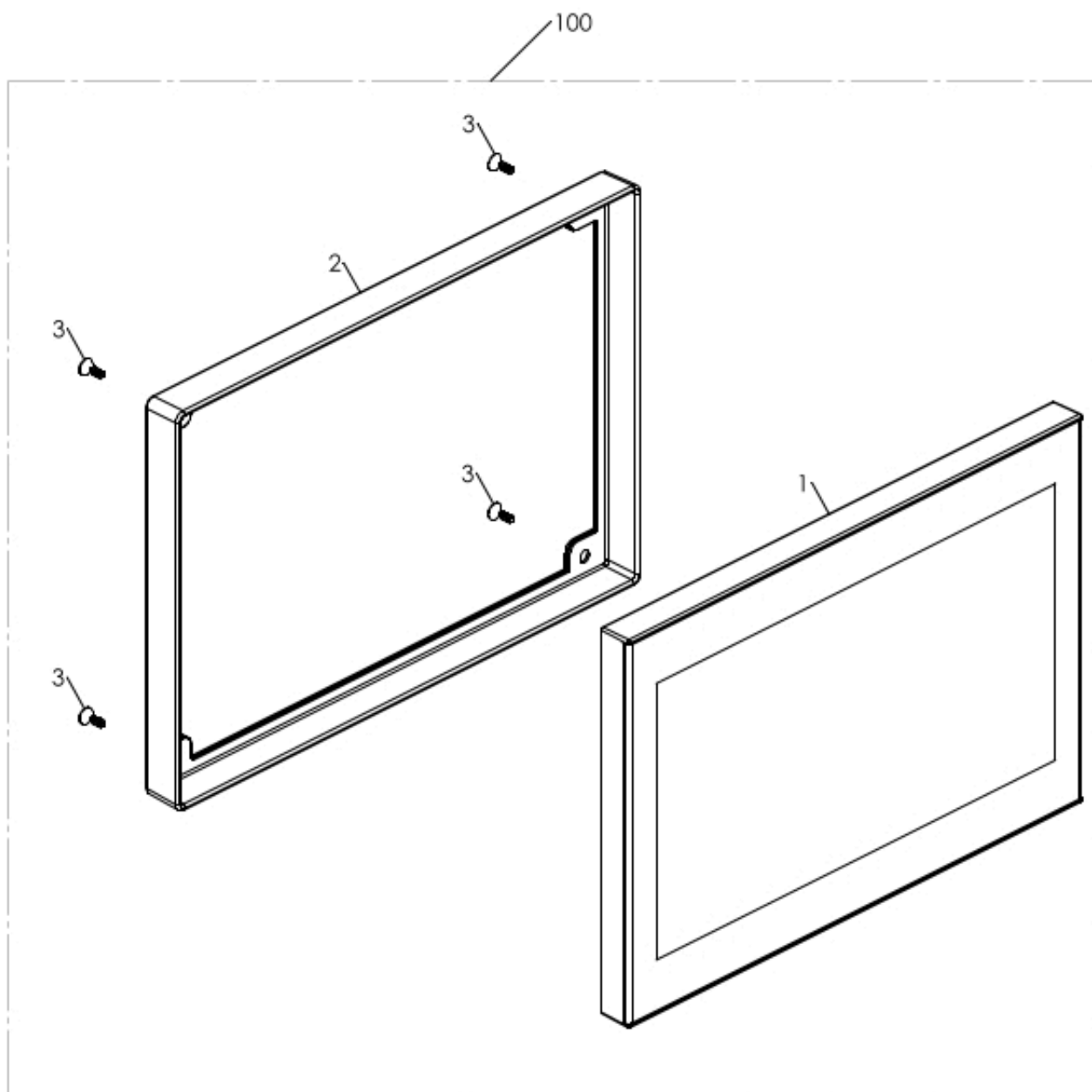
Position	Code	Code RVF	Description
1	Z002B185061	Z002B185061	Support pour lecteur RFID sur TT1
2	SCH0006261		RFID CARD READER_1
3	VIT0000021	840614	VIS TCB M4*6
4	VIT0002479	VIT0002479	TETE VIS 3,5X12 TARAUDER
5	ELT0030725		CON.CPU-RFID TELEF.4VIE CM140
100	Z002B185060R		§ RFID rhTT1

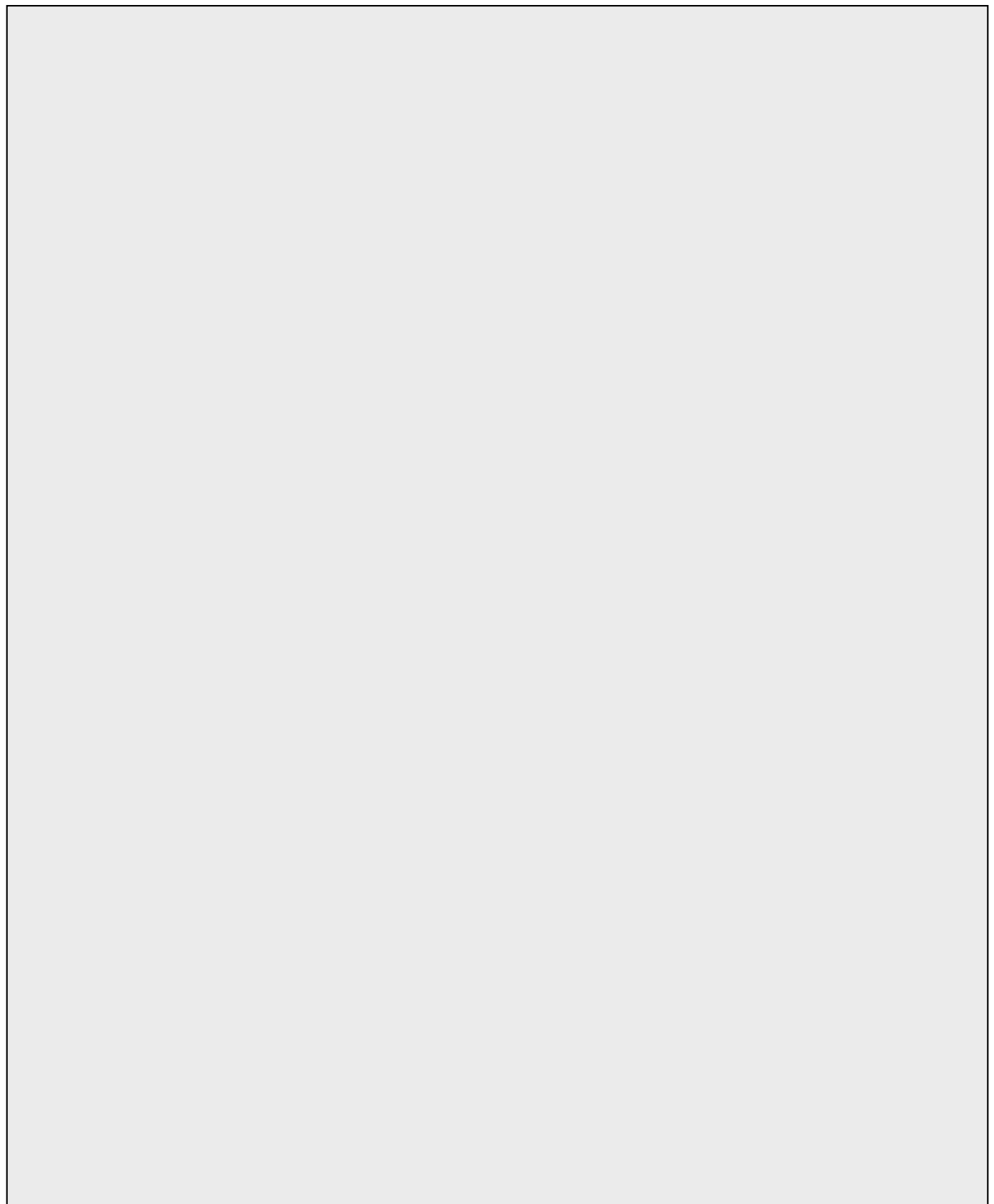


WIRINGS



Position	Code	Code RVF	Description
1	CBLB185047		DOOR INTERFACE WIRING
2	CBLB185037		CPU WIRING 230
3	CBLB185041		ACTUATOR WIRING 24V
4	CBLB185049		INTERFACE BRD 5V/24V WIRING
5	ELT0030483		FLAT CABLE 16P F+F CM43
6	CBLB185001		DOOR SWITCH WIRING
7	CBLB185039		MIXER EXTENSION WIRINGS
8	CBLB185046		DRIP-TRAY HEATING ELEM WIRING
9	CBLB185035		OUT FUSE PANEL WIRING
10	CBLB185029		DOOR SWITCH WIRING
11	CBLXS00310		PIGGY-BACK 200 WIRING
12	CBLB185040		IN EV WIRING
13	CBLXS00009	820605D	PONT POUR MONTAGE RESIST. 820605B
14	CBLB185024		FILTER INPUT WIRING
15	CBLB166026		LVDS WIRING
16	CBLB185005		DISPLAY WIRING 24V
17	ELE0055008	820221	CABLE D'ALIMENTATION XX-XS-XL-DOPPIO
18	CBLB185038		PUMP WIRING
19	CBLXS00009	820605D	PONT POUR MONTAGE RESIST. 820605B
20	CBLB185036		BOILER 230V WIRING
21	CBLB185048		CUP SENSOR WIRING
22	CBLXS00319		GROUND WIRING





Position	Code	Code RVF	Description
1	Z002B185071CL	Z002B185071CL	Ecran tactile 10 pouces rhTT1
2	Z002B185072XC		CHROME COVER DISPLAY 10"
3	VIT0002129		SCREW TSP 3,50X10
100	KITB185002	KITB185002	KIT RETROFIT Ecran tactile 10 pouces rhTT1